



**Termoplam Ltd.
Testing laboratory**

**Page number: 1
Number of pages: 4**

Republic of Bulgaria, Sofia,
www.termoplam.eu , e-mail: termoplam2011@abv.bg, GSM 0885 449 216

TEST REPORT №136/28.01.2020

on the compliance of Residential cookers fired by solid fuel: CONCEPT 2 AIR
with the requirements of
COMMISSION REGULATION (EU) 2015/1185 of 24 April 2015.

I. NAME SIGNATURE OF THE TESTED SAMPLE:

Residential cooker fired by solid fuel - wood model CONCEPT 2 AIR with total heat output 12 kW.

II. NAME DESCRIPTION OF THE TESTED SAMPLE:

Residential cooker model CONCEPT 2 AIR made of steel sheet metal by welding.

III. LEGAL DOCUMENT: COMMISSION REGULATION (EU) 2015/1185 of April 2015.



Picture of Residential cooker CONCEPT 2 AIR.

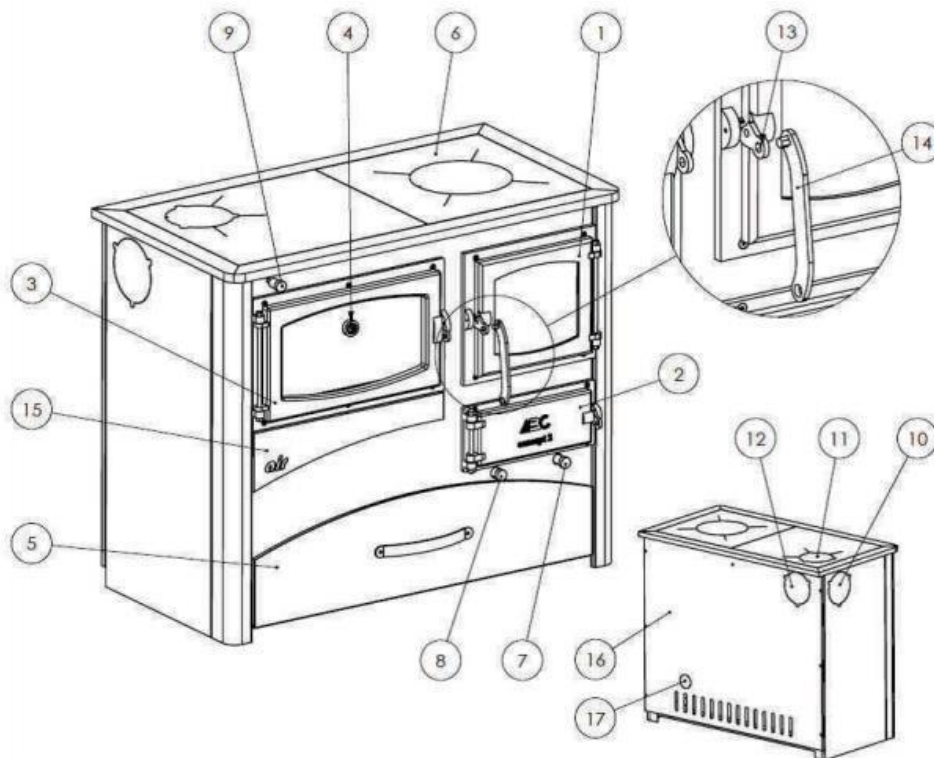
IV. QUANTITY OF THE TESTED SAMPLES: The Residential cooker model CONCEPT 2 AIR are randomly selected units of regular production of 1 each.

V. CUSTOMER:

ABC PROIZVOD d.o.o; Miloša Obrenovića 2; 31000 Užice; R. Serbia.

VI. PURPOSE OBJECT OF THE TASK: Evaluation the compliance of Residential cooker model CONCEPT 2 AIR with the requirements of REGULATION (EU) 2015/1185 of 24 April 2015.

VII. TECHNICAL FEATURES:



(Sl. 1) Šporet Concept 2 Air- levi

Scheme of of Residential cooker CONCEPT 2 AIR (general).

VIII. TEST CONDITIONS:

- 8.1. Working condition of the combustion device - according to the requirements for tests at nominal output according to EN 12815:2001.
- 8.2. Processing of results – calculate according to normal physical conditions at 13% O₂.
- 8.3. Used results of the Test Reports № 155-Tk/10.07.2014 of Laboratory testing and calibration "LIPGEI" Sofia.
- 8.4. Used results of the Test Reports № 594T.1 / 27.04.2018 of Laboratory testing and calibration "LIPGEI" Sofia
- 8.5. Used results of the Test Reports № 1936T.1/ 03.02.2020 of Laboratory testing and calibration "LIPGEI" Sofia.
- 8.6. Used results from the Test Report № 0244/16.07.2014 of TERMOTEST CONSULT LTD, Sofia.

IX. RESULTS AND OBSERVATIONS :

- 9.1. Seasonal space heating emissions:
 - 9.1.1. Dust content of exhaust gases:
 - $PM^1 = 20 \text{ mg/Nm}^3 \leq [PM] = 40 \text{ mg/Nm}^3$ for CONCEPT 2 AIR;
[PM] = 40 mg/Nm³ in accordance with point 2 (a) (ii), of Annex II of the REGULATION (EU) 2015/1185.
 - 9.1.2. CO of exhaust gases:
 - $CO^2 = 1\,185 \text{ mg/Nm}^3 \leq [CO] = 1500 \text{ mg/Nm}^3$ for CONCEPT 2 AIR;
 - [CO] = 1500 mg/Nm³ in accordance with point 2 (c) (ii), of Annex II of the REGULATION (EU) 2015/1185.
 - 9.1.3. OGC of exhaust gases:
 - $OGC^3 = 46 \text{ mg/Nm}^3 \leq [OGC] = 120 \text{ mg/Nm}^3$ for CONCEPT 2 AIR;
 - [OGC] = 120 mg/Nm³ in accordance with point 2 (b) (i), of Annex II of the REGULATION (EU) 2015/1185.
 - 9.1.4. NO_x of exhaust gases:
 - $NO_x^3 = 155 \text{ mg/Nm}^3 \leq [NO_x] = 200 \text{ mg/Nm}^3$ for CONCEPT 2 AIR;
 - [NO_x] = 200 mg/Nm³ in accordance with point 2 (d) (i), of Annex II of the REGULATION (EU) 2015/1185.

¹ Results from the Test Report № 155-Tk/10.07.2014 of Laboratory testing and calibration "LIPGEI" Sofia.

² Results of the Test Reports № 594T.1 / 27.04.2018 of Laboratory testing and calibration "LIPGEI" Sofia

³ Results from the Test Report № 1936T.1/ 03.02.2020 of Laboratory testing and calibration "LIPGEI" Sofia.

9.5. Seasonal space heating energy efficiency:
 $\eta_s = 68,2 \% > [\eta_s] = 65 \%$ for CONCEPT 2 AIR;

Where:

- $\eta_s \%$ - the seasonal space heating energy efficiency in active mode is calculated as $\eta_{th,nom}$.
- $\eta_{th,nom} = 77,2 \%$ for CONCEPT 2 AIR - Test Report № 0244/16.07.2014 of TERMOTEST CONSULT LTD, Sofia.

Where:

- $\eta_{th,nom} \%$ is the useful efficiency at nominal heat output, based on NCV.
- $[\eta_s] \geq 65 \%$ in accordance with point 1 (a) (iv), of Annex II of the REGULATION (EU) 2015/1185.

X. CONCLUSION:

Residential cooker model CONCEPT 2 AIR is satisfying fulfilling the requirements of REGULATION (EU) 2015/1185.

XI. ENCLOSURES:

- 11.1. Picture of residential cooker: 1
- 11.2. Assembly drawing of the sample: 1.



28.01.2020

MANAGER:

(eng. Pl. Iliev)

NOTE:

The test results conclusions relate only to the tested samples.
Extracts from the test report can't be reproduced without written agreement of the testing laboratory.
This document is only informative.